

# VGA Automatic Selector Switch

SV-102

## User Manual

◀ V1.0 ▶



[www.green-box.com.tw](http://www.green-box.com.tw)

[www.data-av.com](http://www.data-av.com)

## 1. Package Content

### SV-102 VGA Selector:

- VGA Automatic Selector Switch x 1
- User Manual

## 2. Product Introduction

Auto selects two VGA sources to one monitor. It's based on a desktop or laptop to share a number of device, including PDP, LCD, projector and CRT-hour access to the other, this function can also be linked to do a variety of products, such as every PC and NB linked to a number of devices, it's more functional, more user-friendly user peripherals.

- Easy Auto Switching
- Great for Notebook to Projector
- No power needed
- Magnetic Pad for easy installation

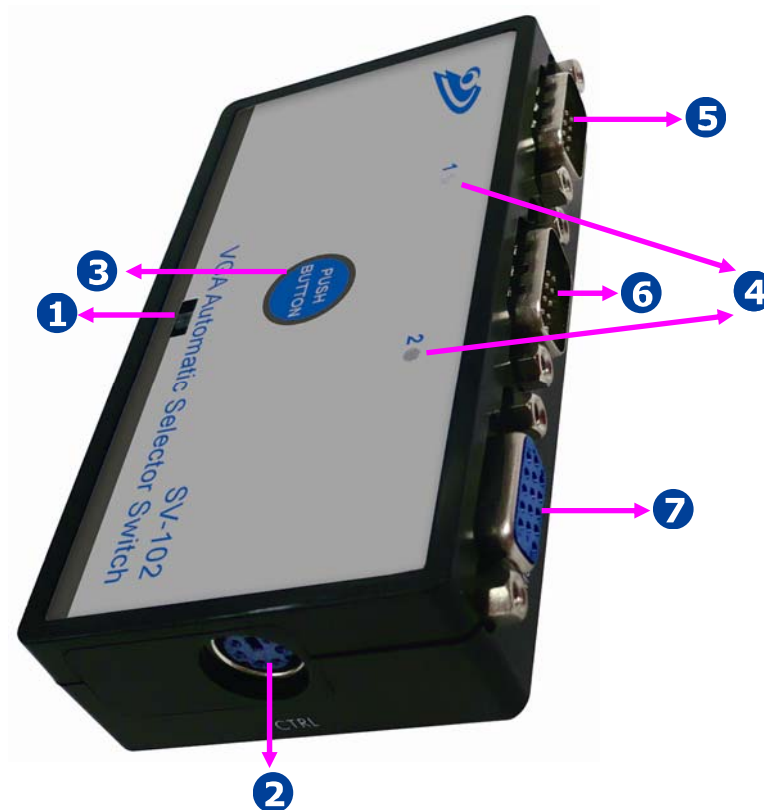


## 3. Product Features

- Switch two VGA sources to one monitor display
- Supports high VGA resolution 2048x1536 (*higher VGA card*)
- Auto detect monitor type and DDC2B signal for each port
- Supports VGA, XGA, SVGA, Multi-sync, TFT-LCD monitor
- Use push-button, extended control button (opt.) for manual selection
- Auto switch to new connected VGA channel (Auto Detect & Select)
- Power-free, electronic design to protect monitor and VGA port
- Auto scan function (scan rate: 10 sec., 20 sec., OFF)
- LED status to indicate the selected VGA channel

## 4. Product Descriptions

### ■ SV-102 VGA Automatic Selector Switch



- |                                  |  |
|----------------------------------|--|
| <b>1</b> Scan (10 off 20)        | <b>2</b> CTRL- Control Button Cable Port |
| <b>3</b> Push Button             | <b>4</b> Status Display                  |
| <b>5</b> Video Input I           | <b>6</b> Video Input II                  |
| <b>7</b> VGA Output (To Monitor) |  |

## 5. Installation

1. In your first time installation, please connect video monitor and VGA signal sources (from PC, Notebook, or other standard VGA output) to corresponding port of Auto VGA Selector. You may use optional VGA cable for necessary connection.

If the selector detects a VGA signal, the LED display on the selector panel will turn on blue to indicate the selected channel. You may connect an external control button (optional) to the selector for ease of different application.

2. Please use standard high quality VGA cable to ensure best image quality.

3. Select methods:

**Front panel push button:** Push this button to switch to different channel.

If there is only one channel activated, this button will be inactive.

**External control button:** Use optional control button, the function is the same.

As front push button. You can also a PS/2 connection to make your customized button.

**Auto switching:** The selector will auto detect new input signal and switch to that signal.

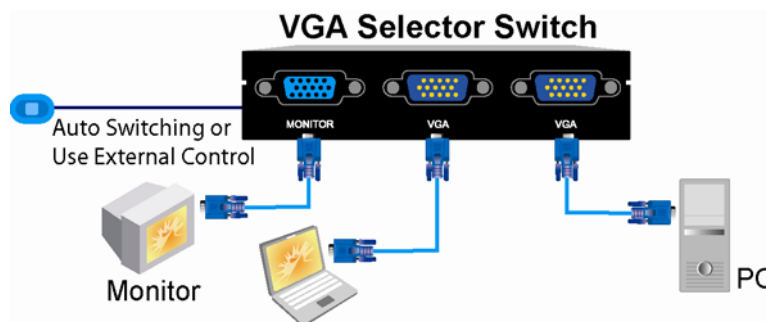
In the other way, if you connect two signal sources and unplug one, the selector will switch to the available channel.

4. Auto Scan:

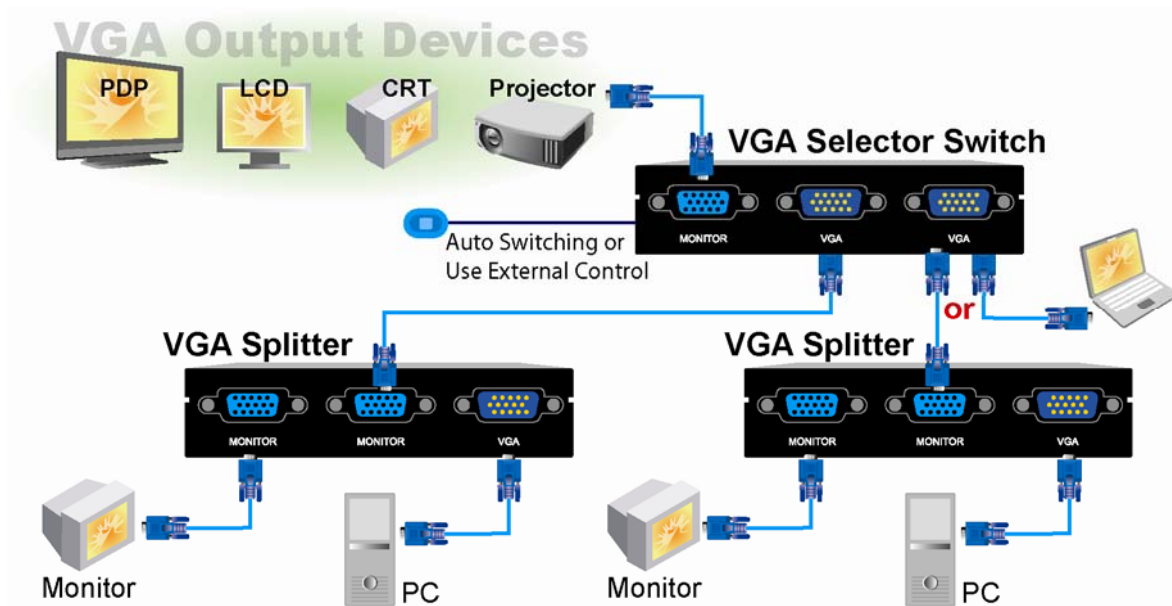
Below the push button is a small dip switch, there are three options representing different scan mode (Scan rate 10 sec., Stop scan, and Scan rate 20 sec). You can select different mode for monitoring.

## 6. VGA Selector Switch Connection

### ■ Auto Switching Two VGAs to One Screen



### ■ Auto Switching Two PCs/One PC and One NB to One Screen



## 7. Specifications

<b>Model Name</b>		<b>VGA Automatic Selector Switch - Auto select two VGA sources to one monitor</b>
<b>Model No.</b>		<b>SV-102</b>
<b>Monitor Wires(Optional)</b>		VGA Cable 1M
<b>VGA Select Method</b>		Auto Sensing, Front Push Button, External Control Button
<b>Signal Type</b>		VGA, XGA, SVGA, Multi-sync, TFT-LCD Monitor
<b>Extended Length</b>		30m (Max.)
<b>Connector</b>	<b>Input</b>	2 x D-Sub15, Male
	<b>Output</b>	1 x D-Sub15, Female
<b>LED Display</b>		2 LEDS, VGA1 & VGA2
<b>Enclosure</b>		Plastic
<b>Power</b>		Non-external-power, electronic design
<b>Dimension (L x W x H)</b>		22x100x56 (mm)

## **8. Remarks**

- I. Please read this operation manual carefully before installing the system.
- II. Please use correct power adapter and use high quality cable for optimum broadcasting.
- III. To prevent potential power damage do not use 2-wire extension cords. Ensure DC outlets at PCs and displays are on the same phase and have correct and common grounding.
- IV. Limited Warranty:
  - (1) In no events shall the vendor's liability for direct or indirect, special, incidental or consequential damages, loss of profit, loss of business, or financial loss which may be caused by the use of the product exceeds the price paid for the product.
  - (2) The vendor makes no warranty or representation, expressed or implied with respect to the contents or use of this documentation, and especially disclaims its quality, performance, merchantability, or fitness for any particular purpose.
  - (3) The vendor also reserves the right to revise or update the product or documentation without obligation to notify any user of such revisions or updates. For further information please contact your vendor.

## **9. Notice**

1. All other company or product names mentioned herein are trademarks or registered trademarks of their respective companies.
2. Specifications are subject to change without notice.
3. Please read user manual carefully before operating the device
4. Please use the power adaptor accompanied with this product. Warranty does not cover for damages caused by pairing other power adaptor
5. Please check all connecting devices are properly grounded to avoid electric failure
6. This product has limited warranty for one year from defects in material and workmanship. Items that are physically damaged, misused, tempered with or altered are void of warranty. For further details please contact your distributor. In case warranty sticker is damaged or missing, warranty is void. For further details please contact your distributor.

## Certifications

### FCC

This equipment has been tested and found to comply with Part 15 of the FCC Rules.

Operation is subject to the following two conditions:

- (1) This device may not cause harmful interference
- (2) This device must accept any interference received, including interference that may cause undesired operation.

### CE

This equipment is in compliance with the requirements of the following regulations:

EN 55022: CLASS B

### RoHS

All contents of this package, including products, packing materials and documentation comply with RoHS.



© 2009 by Green-Box

Green-Box Technology Co. Ltd. reserves the right to make changes in the hardware, packaging, and any accompanying documentation without prior written notice.

No part of this document may be reproduced or transmitted in any form or by any means, electronic, mechanical, photocopying, recording, or otherwise, without prior written permission of Green-Box Technology Co. Ltd.

P/N: CDDMSV102200A0