

4-Port PS/2 / USB Desktop KVM Switch

KV-P00401D
KV-U00401D

User Manual

◀ V1.0 ▶



www.green-box.com.tw

Certifications

FCC

This equipment has been tested and found to comply with Part 15 of the FCC Rules.

Operation is subject to the following two conditions:

- (1) This device may not cause harmful interference
- (2) This device must accept any interference received, including interference that may cause undesired operation.

CE

This equipment is in compliance with the requirements of the following regulations:

EN 55022: CLASS B

RoHS

All contents of this package, including products, packing materials and documentation comply with RoHS.



© 2008 by Green-Box

Green-Box Technology Co. Ltd. reserves the right to make changes in the hardware, packaging, and any accompanying documentation without prior written notice.

No part of this document may be reproduced or transmitted in any form or by any means, electronic, mechanical, photocopying, recording, or otherwise, without prior written permission of Green-Box Technology Co. Ltd.

Contents

1. Product Overview	5
1.1 Introduction	5
1.2 Features	5
1.3 Technical Specifications.....	6
1.4 System Requirements.....	6
1.5 Product Detail.....	7
2. Hardware Installation	7
2.1 Product Connection.....	8
3. Operation & Usage	9
3.1 Press Hot key must be twice within 2 seconds	9
3.2 Function introduction.....	9
4. Troubleshooting.....	12
5. Remarks.....	13
6. Notice.....	13

Product Exterior



KV-P00401D 4-Port Desktop PS/2 KVM Switch



KV-U00401D 4-Port Desktop USB KVM Switch

1. Product Overview

1.1 Introduction

Controlling 4 PCs from One USB / PS/2 Keyboard, USB Mouse, VGA Monitor function. 4-Port KVM Switch is loaded with features such as hot key, and auto scan control. It has complete USB keyboard and USB mouse emulation for simultaneous multiple PCs boot-up process.

1.2 Features

- 4-Port Desktop USB / PS/2 KVM Switch is compact size design, easy portable
- Access 4 computers by one KVM Switch.
- Supports individual USB mouse, individual USB Keyboard for USB console port
- Supports High Video Resolution - Up To 2048x1536
- No Software installation required .
- Keyboard status restored when switching PCs
- No need to buy an external adaptor.
- Supports both “panel button” and “hot key” to switch among computers.
- Supports auto-scan mode for users to monitor computers easily.
- Supports audio beep and LEDs to indicate status.
- Supports 4 different sets of key sequence to switch among PCs.
- Supports VGA, DDC, DDC2, DDC2B and DDC2AB
- Auto save hotkey mode configuration.
- Supports Windows, Macintosh, Linux, FreeBSD and Sun system.

1.3 Technical Specifications

Product Name	4-Port USB KVM Switch	4-Port PS/2 KVM Switch
Model No.	KV-U00401D	KV-P00401D
PC Port	4	4
Console Port	2 USB type A	1
PC Port connector	4 (USB type A + VGA HDDB 15-pin)	4
Console port connector	2 USB type A receptacles VGA HDDB 15-pin Female	PS/2 Keyboard Mini Din 6-pin (Purple) PS/2 Mouse Mini Din 6-pin (Green Color) VGA HDDB 15-pin (Blue Color)
PC selection	Hot Key, Push button	
LED	4	4
Scan Intervals	5,10,15,20,25,30,35,40,60 seconds	8 seconds
Keyboard	USB	PS/2
Mouse	USB	PS/2
VGA Resolution	2048x1536 / 75Hz	2048x1536 / 75Hz
Power Type	Bus Power	Bus Power
Operation Temperature	0 ~ 50°C	
Storage Temperature	-20 ~ 60°C	
Humidity	0~90%, Non-Condensing	
Housing	Metal	
Type	Desktop	
Dimension	210x82x45 mm	
Weight (g)	600g	

1.4 System Requirements

Functions	4-Port Desktop USB KVM Switch	4-Port Desktop PS/2 KVM Switch
Console Port	One VGA Monitor One USB Keyboard One USB Mouse	One VGA Monitor One USB Keyboard One USB Mouse
Computer Port	USB + VGA Cable	KVM Cables

1.5 Product Details



KV-P00401D Front Panel View



KV-U00401D Front Panel View



KV-P00401D/KV-U00401D Rear Panel View

2. Hardware Installation

Before installation, please make sure all of peripherals and computers have been turned off.

*1.1 Connecting USB cable to PC and this switch

*1.2 Connect the Keyboard, VGA, Mouse to console port of KVM switch

2. Connecting HDDB15-pin VGA cable to PC and this switch.

3. VGA monitor's cable is connected to console VGA port.

4. Connecting USB keyboard and USB mouse to console USB ports individually.

Note: USB keyboard must be plugged into console keyboard port and USB mouse must be plugged into console mouse port

5. Power on all of PCs

Note: Choose 1.1 is 4-Port USB KVM Switch

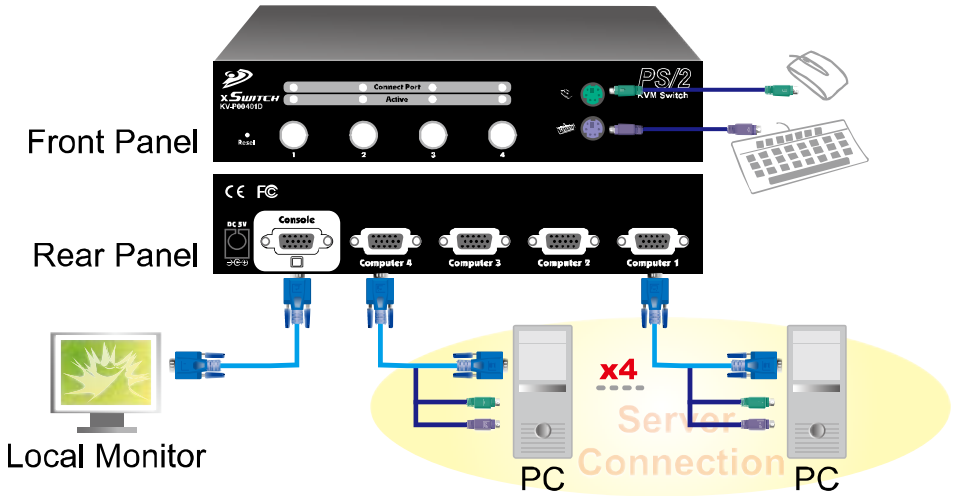
Choose 1.2 is 4-Port PS/2 KVM Switch

6. Button function: when switching to no dives port, touch the Mouse or keyboard will send out a warning; in that time, do not touch the switch button immediately.

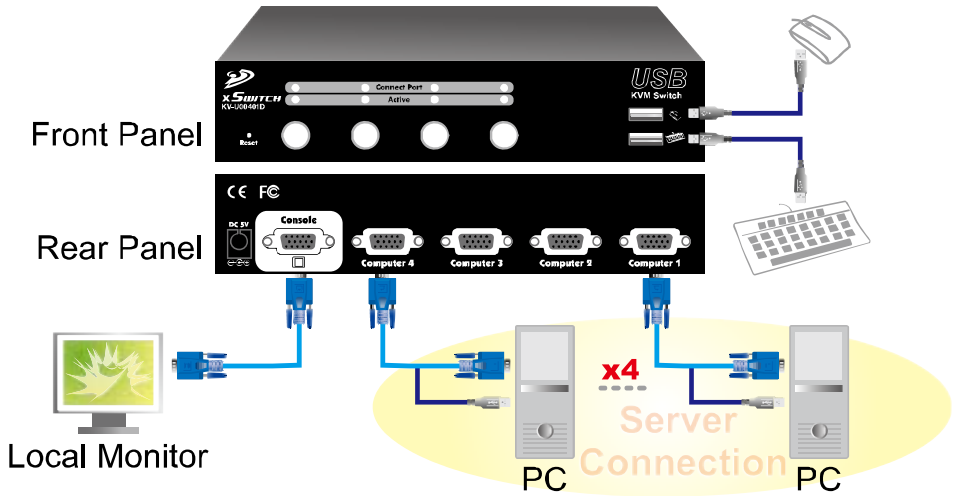
Note: for USB KVM Switch

2.1 Product Connection

- 4-Port PS/2 KVM Switch Connection



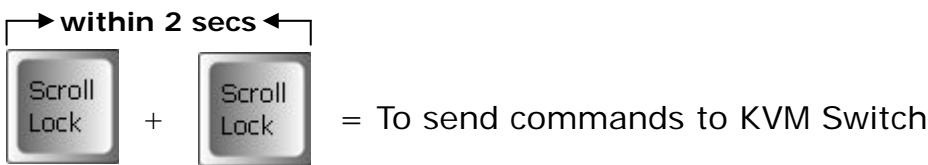
- 4-Port USB KVM Switch Connection



3. Operation & Usage

To send commands to KVM Switch, the SCROLL LOCK key must be pressed twice within 2 seconds. If you have not pressed any key in hot key mode within 2 seconds (It means to key in any key follows up "Scroll Lock" "Scroll Lock" key), the keyboard will back to under Operation System (O.S.) control state.
<fig.1>.

3.1 Press Hot key must be twice within 2 seconds



<fig.1>

3.2 Function introduction

■ **There are four Hot key mode: For USB KVM Switch Used (KV-U00401D)**

[Scroll] + [Scroll] mode, [Caps] + [Caps] mode, [Num] + [Num] mode and [Ctrl] + [Shift] mode.

Each can be switched to the other by keyboard.

The default hot key mode is [Scroll] + [Scroll] mode.

- **[Scroll] + [Scroll] mode**

[Scroll] + [Scroll] + [1] Switch to PC1

[Scroll] + [Scroll] + [2] Switch to PC2

[Scroll] + [Scroll] + → or ↓ Switch to Next PC

[Scroll] + [Scroll] + ← or ↑ Switch to Previous PC

[Scroll] + [Scroll] + [B] Beeper ON/OFF

[Scroll] + [Scroll] + [S] Auto-scan mode every 10 second.

([ESC] switch to regular key code)

[Scroll] + [Scroll] + [S] + [n] Set Auto-scan rate

([ESC] switch to regular key code)

[Scroll] + [Scroll] + [Caps] Switch to [Caps] + [Caps] hot key mode

[Scroll] + [Scroll] + [Num] Switch to [Num] + [Num] hot key mode

[Scroll] + [Scroll] + [Ctrl] Switch to [Ctrl] + [Shift] hot key mode

- **[Caps]+[Caps] mode**

[Caps] + [Caps] + [1] Switch to PC1
 [Caps] + [Caps] + [2] Switch to PC2
 [Caps] + [Caps] + → or ↓ Switch to Next PC
 [Caps] + [Caps] + ← or ↑ Switch to Previous PC
 [Caps] + [Caps] + [B] Beeper ON/OFF
 [Caps] + [Caps] + [S] Auto-scan mode every 10 second.
 ([ESC] switch to regular key code)
 [Caps] + [Caps] + [S] + [n] Set Auto-scan rate
 ([ESC] switch to regular key code)
 [Caps] + [Caps] + [Scroll] Switch to [Scroll] + [Scroll] hot key mode
 [Caps] + [Caps] + [Num] Switch to [Num] + [Num] hot key mode
 [Caps] + [Caps] + [Ctrl] Switch to [Ctrl] + [Shift] hot key mode

- **[Num]+[Num] Mode**

[Num] + [Num] + [1] Switch to PC1
 [Num] + [Num] + [2] Switch to PC2
 [Num] + [Num] + → or ↓ Switch to Next PC
 [Num] + [Num] + ← or ↑ Switch to Previous PC
 [Num] + [Num] + [B] Beeper ON/OFF
 [Num] + [Num] + [S] Auto-scan mode every 10 second.
 ([ESC] switch to regular key code)
 [Num] + [Num] + [S] + [n] Set Auto-scan rate
 ([ESC] switch to regular key code)
 [Num] + [Num] + [Scroll] Switch to [Scroll] + [Scroll] hot key mode
 [Num] + [Num] + [Caps] Switch to [Caps]+ [Caps] hot key mode
 [Num] + [Num] + [Ctrl] Switch to [Ctrl] + [Shift] hot key mode

- **[Ctrl]+[Shift] mode (left hand)**

[Ctrl] + [Ctrl] Switch to next PC
 [Ctrl + Shift + 1] Switch to PC1.
 [Ctrl + Shift + 2] Switch to PC2
 [Ctrl + Shift + → or ↓] Switch to Next PC
 [Ctrl + Shift + ← or ↑] Switch to Previous PC
 [Ctrl + Shift + B] Beeper ON/OFF
 [Ctrl + Shift + S] Auto-scan mode every 10 second.
 ([ESC] switch to regular key code)
 [Ctrl + Shift + S] + [n] Set Auto-scan rate
 ([ESC] switch to regular key code)

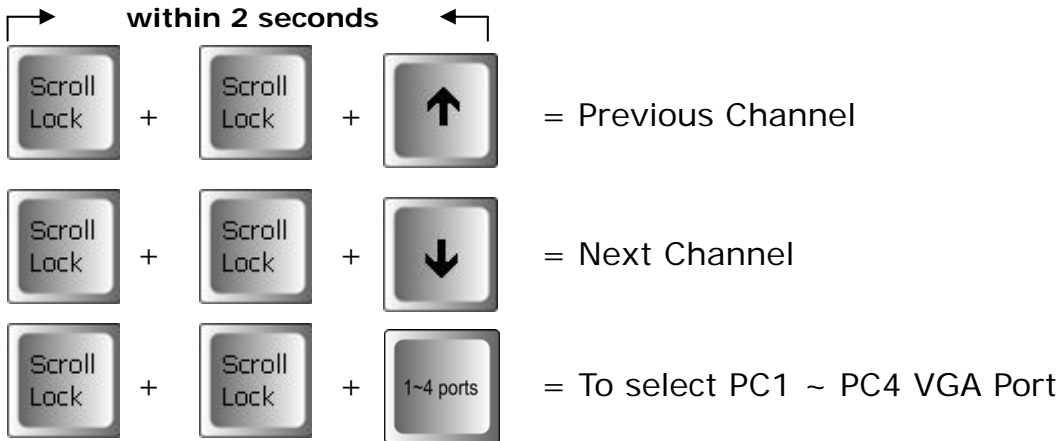
[Ctrl + Shift + Scroll] Switch to [Scroll] + [Scroll] hot key mode

[Ctrl + Shift + Caps] Switch to [Caps] + [Caps] hot key mode

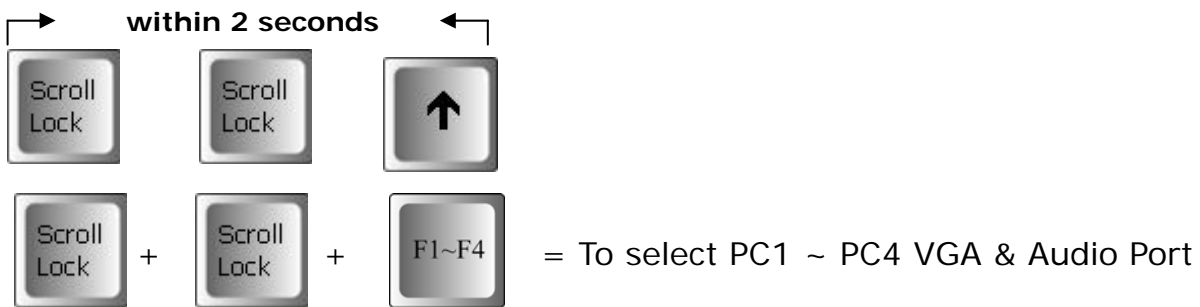
[Ctrl + Shift + Num] Switch to [Num] + [Num] hot key mode

■ **For PS2 KVM Switch Used (KV-P00401D) Select VGA port:**

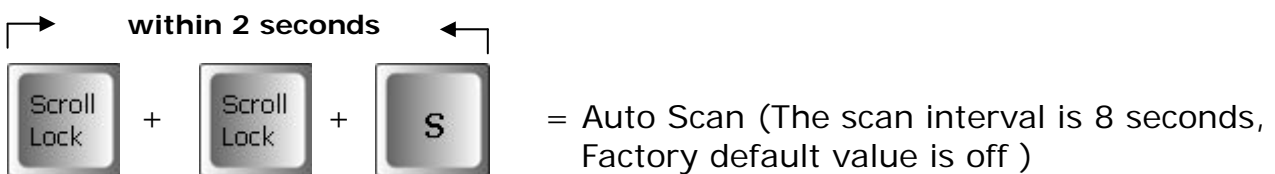
※ Switched the VGA Port, But Audio Port not switched.



Select VGA & Audio port:

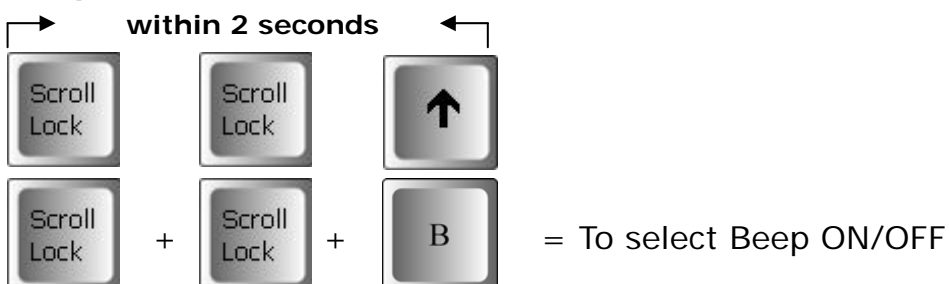


Auto Scan Mode:



To get out of Auto Scan Mode, Press any key or SPACE bar.

Beep ON/OFF Mode:



4. Troubleshooting

Ensure that all cables are well seated. Label all of cables with the number for each respective computer to avoid confusion.

SUN MICROSYSTEMS:

- Mini USB console KVM switch can work with PC and SUN Microsystems with USB port or two SUN Microsystems with USB port. PC and SUN Microsystems: One USB console could connect USB Keyboard and mouse combination. The other USB console could connect SUN USB keyboard.

Note: you don't like to use two keyboard, you also can use PC keyboard for SUN Microsystems. And the following keyboard need be applied to SUN Microsystems.

- **SUN MICROSYSTEMS Keyboard Mouse Mapping:**

The following diagram indexes the Hotkey combination that emulates SunMicro keyboard commands.

- **LED Usage:**

Basically, there is one LED is always lit (i.e. the console is linked to this PC port) for one PC port and the other PC port's LED is off, when you power on USB KVM switch.

When you select one of two PC ports and it is shut down or is disconnected to PC, the selected PC port LED flashed.

- **Auto-scan rate**

1: 5 secs 2: 10 secs 3: 15 secs 4: 20 secs 5: 25 secs
6: 30 secs 7: 35secs 8: 40 secs 9: 60 secs

- **Booting up PC:**

Don't press any keys on the keyboard or push button while the selected computer is booting up. Otherwise, it might cause the keyboard error or keyboard is not detected or unpredictable error at PC side.

5. Remarks

- I. Please read this operation manual carefully before installing the system.
- II. Please use high quality HDMI cable for optimum results.
- III. To prevent potential power damage do not use 2-wire extension cords. Ensure DC outlets at PCs and displays are on the same phase and have correct and common grounding.
- IV. Limited Warranty:
 - (1) In no events shall the vendor's liability for direct or indirect, special, incidental or consequential damages, loss of profit, loss of business, or financial loss which may be caused by the use of the product exceeds the price paid for the product.
 - (2) The vendor makes no warranty or representation, expressed or implied with respect to the contents or use of this documentation, and especially disclaims its quality, performance, merchantability, or fitness for any particular purpose.
 - (3) The vendor also reserves the right to revise or update the product or documentation without obligation to notify any user of such revisions or updates. For further information please contact your vendor.

6. Notice

1. All other company or product names mentioned herein are trademarks or registered trademarks of their respective companies.
2. Specifications are subject to change without notice.
3. Please read user manual carefully before operating the device
4. Please use the power adaptor accompanied with this product. Warranty does not cover for damages caused by pairing other power adaptor
5. Please check all connecting devices are properly grounded to avoid electric failure
6. This product has limited warranty for one year from defects in material and workmanship. Items that are physically damaged, misused, tempered with or altered are void of warranty. For further details please contact your distributor. In case warranty sticker is damaged or missing, warranty is void. For further details please contact your distributor.

P/N: CDCDKVM0D400D0