

2/4/8-Port 350MHz VGA Splitter



VS-201H Video Splitter



VS-401H Video Splitter

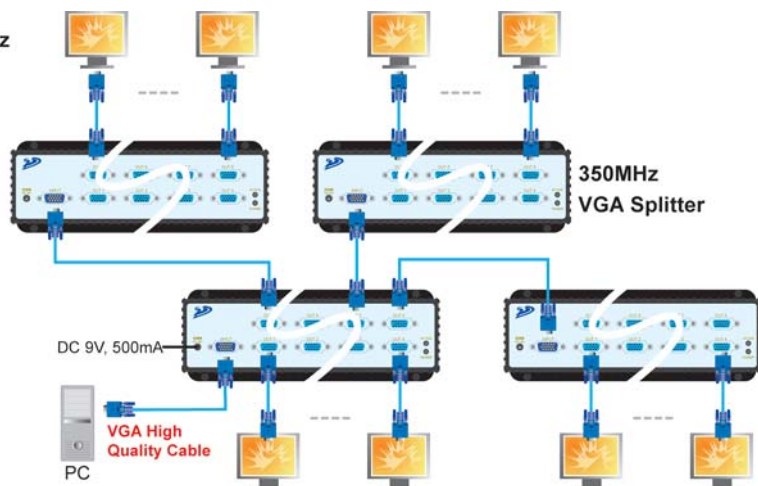


VS-801H Video Splitter

Video Splitter Connection



Send PC's Screen to Projector, PDP or LCD TV, also to local Monitor



Broadcast one VGA source to multiple monitors

Features

- Multiply one VGA source to 2/4/8 VGA outputs
- Effective extended distance: 65 (200ft)
- Compatible with VGA, SVGA, XGA, Multi-sync, TFT-LCD monitors
- Supports DDC, DDC2, DDC2B function for optimum setup
- Easy cascading to increase VGA outputs
- Bottom design with magnetic pad easy to install on any metallic plane

Application

- Multimedia presentations & public exhibits
- Simple PC training system
- Video conference & business meeting
- Monitor testing and burn-in

MODEL NO.	VS-201H	VS-401H	VS-801H
MODEL NAME	Multiply VGA source to the VGA signal outputs, 350MHz	Multiply one VGA source to 4 VGA outputs, 350MHz	Multiply one VGA source to 8 VGA outputs, 350MHz
Monitor Wires	VGA Cable 1M		
Cable Distance	65M (200 feet) Max		
Signal Type	VGA, SVGA, XGA, Multi-sync, TFT-LCD monitor		
Connector	Input	1 x HD15, Male	
	Output	2 x HD15, Female	4 x HD15, Female
LED Display	Power Indicator x 1, Active Indicator x 1		
Enclosure	Plastic		
Size	20x100x56 mm	36x22x77 mm	