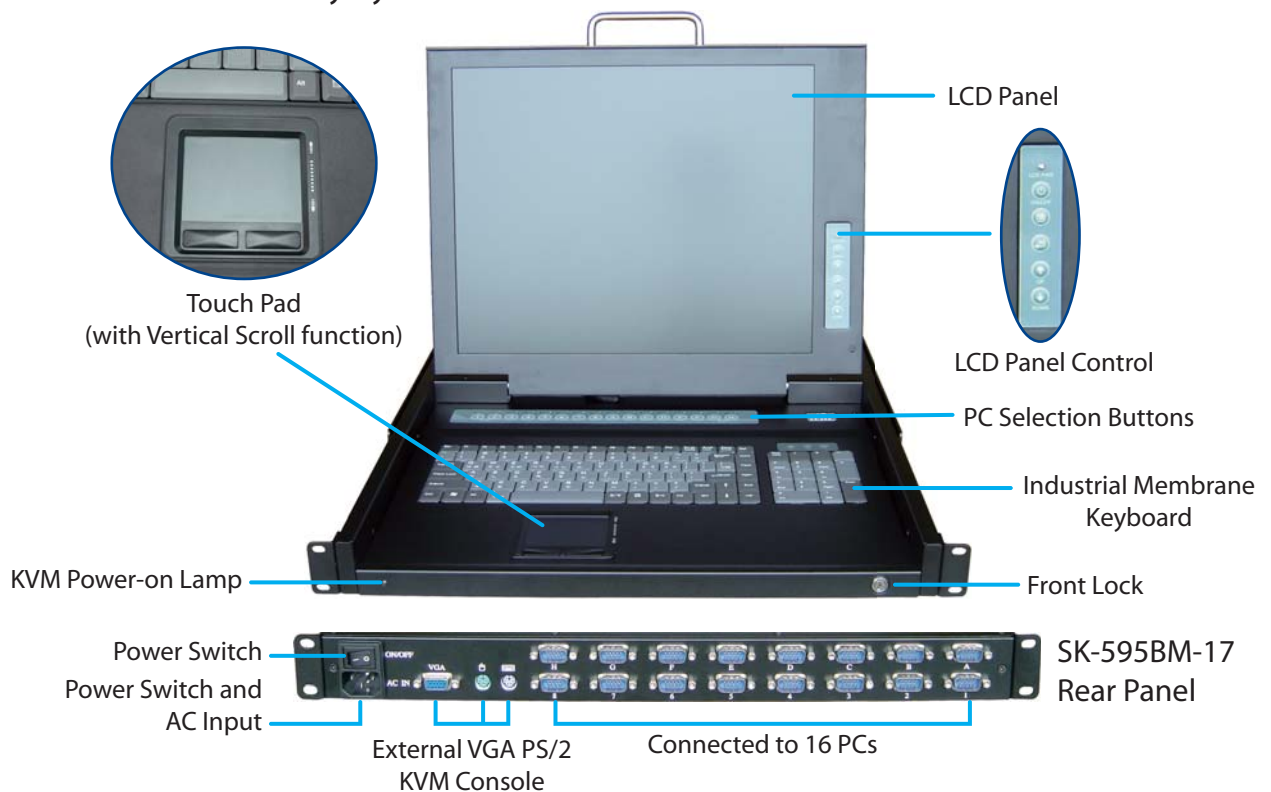


Industrial 17" LCD Rackmount KVM Drawer with 16-Port KVM Switch

The SK-595BM-17 is a Industrial 1U 19" Rackmount KVM Drawer with 16-Port KVM Switch. It controls your computer by a keyboard, Touch Pad, 17" TFT LCD monitor and a KVM Switch. The industrial solution provides high efficiency in server management. For further convenience and flexibility, it also supports an external set of keyboard, monitor, and mouse console that allows user to access the computers locally from the rack or remotely by IP KVM or Cat5 KVM Extender.



Features

- Integrating a Keyboard, Touch Pad, 17" LCD panel and a KVM switch in a 1U housing
- Built in internal power supply
- Micro switch can automatically shut-off LCD panel in the closed position
- External console port for connecting second set of keyboard, mouse, and monitor
- Supports 16 Ports KVM Switch
- Use two KVM consoles to control multiple PCs, both consoles will watch the same PC channel
- Automatic KVM signal simulation for every port, able to boot-up PC simultaneously
- Supports plug & play, software free
- Supports DDC2B, correct Monitor type detection for each port at any time
- Compatible with MS-DOS, Windows, Linux, Unix, FreeBSD
- Maximum VGA resolution up to 2048x1536
- Front panel push button, hot-key and full-function OSD menu for PC selection
- Cascading function to expand the connected PCs
- Individual push button for each channel
- Automatic KVM type detection for optimum setup
- Auto Screen mode for monitoring PCs
- Use integrated HDB15 3-in-1 KVM cable to connect PC, easy to connect and save space
- Extra KVM console to connect second set of keyboard, mouse, and monitor



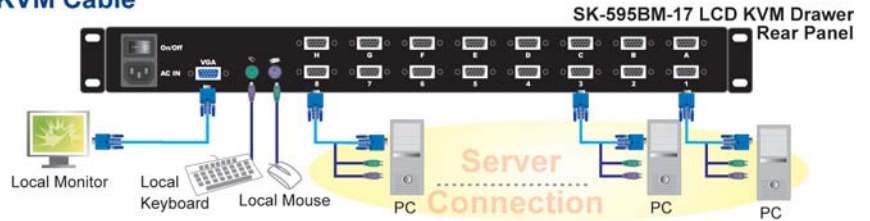
Industrial 17" LCD Rackmount KVM Drawer with 16-Port KVM Switch

LCD KVM Drawer with 16-Port KVM Switch Connection

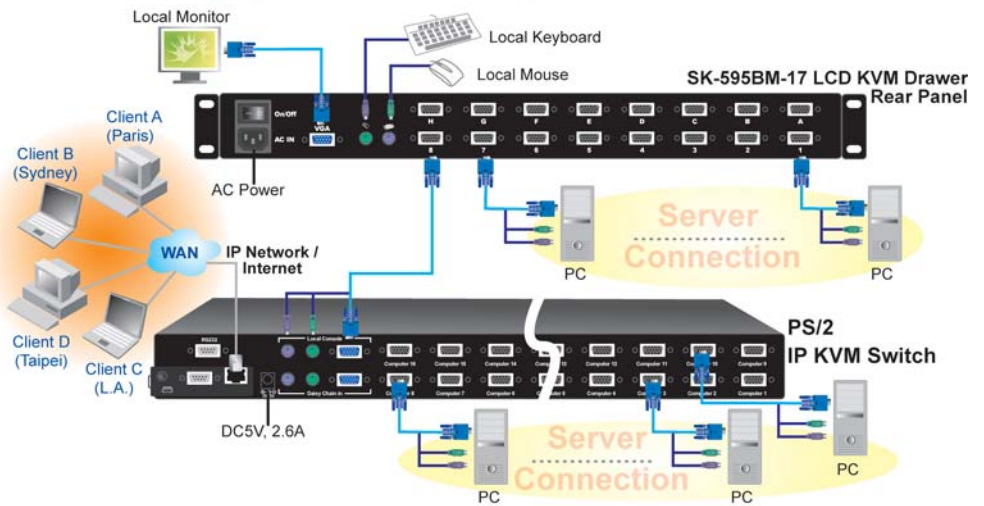


2nd KVM Console Extension

1. KVM Cable



2. IP-KVM (Anywhere from Internet)



SK-595BM-17 17" LCD, Keyboard and Touch Pad Specifications:

- Max Resolution: 1280x1024@75Hz
- Flat Panel Type: 17" Active Matrix TFT LCD
- LCD Brightness: 300cd/m² ; LCD Color: 16.2M ; View Angle: 160/160 (Typ.) ; Contrast Ratio: 450:1(Typ.) ; LCD MTBF: 50000hrs
- VGA Input Signal Format: RGB Analog Video
- OSD Control: Front side buttons
- KVM Cable: 3-in-1 D-SUB 15-Pin
- Display Control: OSD, Power On/Off, Brightness, Contrast, Auto-Sync, Scale
- Safety Lock: Slide Rail Lock & Front Lock
- Keyboard: PS/2, 104 key membrane
- Touch Pad: PS/2, with two buttons membrane and Vertical Scroll function
- Power Supply Unit: 45W, 110~230VAC (Auto-Switching)
- Temperature: 0~50°C in Operating, -20~60°C in storage
- Humidity: 0-80% RH, non-condensing
- Gross Weight: 12kg
- Dimensions: 450(W) x 44(H) x 535(D) mm

SK-595BM-17 16-Port KVM Switch Specifications:

- PC Port: 16-Port
- Max. Connected PCs: 64(real)/2048(theory)
- Front Panel: Two Color LEDs, 16 Buttons
- Compatible OS: MS-DOS, Windows, Linux, Unix, FreeBSD
- Console Connection: Monitor: D-Sub 15 ; Keyboard: PS/2 ; Mouse: PS/2
- To Switch Connector: Integrated HDB15 connection
- To PC Connector: Monitor: D-Sub 15 ; Keyboard: PS/2 ; Mouse: PS/2
- PC Selection Methods: Push Button, Hot-key, OSD Menu
- On Screen Display (OSD): Yes
- Auto Scan Interval: 1-255 sec
- Power Supply: DC6-9V, 500mA
- Cover Property: Metal
- Install Type: Built in LCD KVM Drawer
- KVM Cable Length: 1.8M, 3M, 6M, 9M, 15M, 20M, 30M



GREEN-BOX TECHNOLOGY CO., LTD.

2F, No.198, Chung Yuan Rd., Chung-Li Ind. Zone, Chung-Li 320, Taiwan

TEL: 886-3-435-8189 FAX: 886-3-462-5477

www.green-box.com.tw sales@green-box.com.tw

