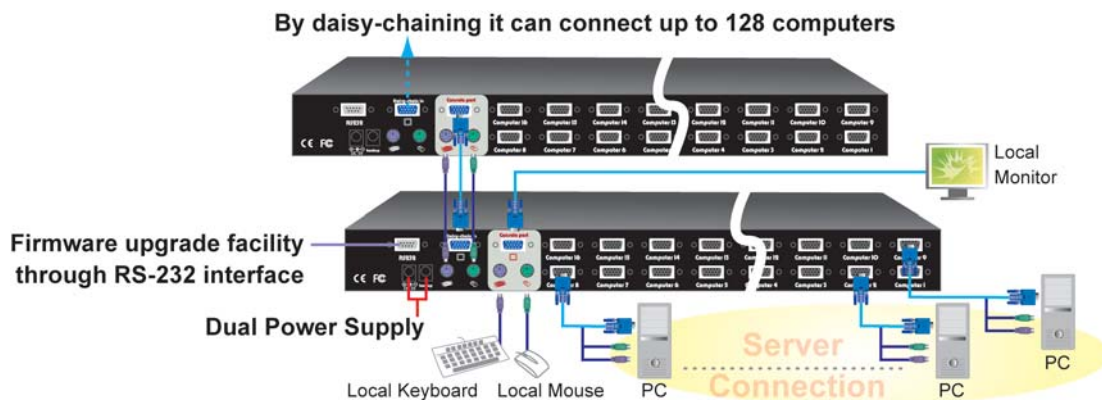


8/16-Port 19" Rack-mount PS/2 KVM Switch

This PS2 KVM Switch allows multiple computers (PCs or servers) controlled by one set of keyboard, monitor and mouse. It ensures easy switch via front panel button, Hot-keys or the friendly On Screen Display (OSD) menu with connection up to 128 computers (by chaining 16-port PS/2 KVMs). Not only naming for each computer can be done for easy identification, it also protects access by passwords. Additionally with the Auto Scan function it helps you managing all connecting systems at ease.



PS/2 KVM Switch Connection



Main Features

- Software free, easy installation, fully plug-and-play design.
- Compatible with typical PS/2 computers, monitors and keyboards. Supports Intellimouse explorer, and Logitech Net Mouse
- Compatible using DOS, Win3.x, Win95/98/98SE/2000/ME/XP/Vista, WinNT, Netware, HP Unix, Linux
- Supports high resolution video at 1920x1440, with DDC2 monitor compatibility.
- Auto Scan function scans for all connecting computer at intervals between 5~255 seconds.
- By daisy-chaining it can connect up to 128 computers (for all 16-port PS/2 KVM connection)
- Provide password protection and operation level restriction.
- 19" rack mount kit for easy rack installation
- Firmware upgrade facility through RS-232 interface

KV-P00801 / KV-P01601 Specifications:

8/16-Port 19" Rack-mount PS/2 KVM Switch

- Computer Port: 8/16 x PS/2 Keyboard, Mouse, VGA Monitor
- Console Port: 1 x PS/2 Keyboard, Mouse, VGA Monitor
- Firmware Upgrade Port: 1 x RS-232
- Daisy Chain Port: 1 x PS/2 Keyboard, Mouse, VGA Monitor
- PC Selection: Hot-Key, Push Button, OSD Menu
- Max. Resolution: 1920x1440 at 60Hz
- DDC Version: DDC2
- Monitor Bandwidth: 200MHz
- Daisy Chain Level: 8 levels maximum
- Maximum PC Connection: 120(8-Port) / 128(16-Port)
- Housing Material: Metal
- Power adaptor: DC 5V 1A Dual Power Input
- Weight: 1450g(8-Port) / 1950g(16-Port)
- Dimension: 420x140x44 mm (19" 1RU)